

Low V_F , Low I_R Schottky Rectifiers in the SOT-23F

CMPSH1-4
CMPSH1-4L
CMPSH1-4LE
40V, 1.0A



SOT-23F

features

- Low V_F (CMPSH1-4L)
- Balanced Low V_F / Low I_R (CMPSH1-4LE)
- Low I_R (CMPSH1-4)
- Low profile 1.0mm SOT-23F package
- RoHS, Pb Free



applications

- Load/Power Switches
- Power Supply Converter Circuits
- Battery Powered equipment including cellphones, digital cameras, PDAs, etc.

description

The Central Semiconductor CMPSH1-4, CMPSH1-4L and CMPSH1-4LE are highly efficient 1.0A, 40V Schottky Rectifiers. They provide alternative design choices for specific application requirements. The CMPSH1-4 offers an outstanding ultra low I_R specification, while the CMPSH1-4L offers a desirable low V_F . The CMPSH1-4LE completes the family with a balanced low V_F and low I_R . These devices are packaged in the SOT-23F surface mount case featuring a maximum profile (height) of 1.0mm.

selection guide

Low V_F , Low I_R Schottky Rectifiers

$I_O @ T_A = 25^\circ\text{C}$	1.0A		
Central Part No.	CMPSH1-4L	CMPSH1-4LE	CMPSH1-4
V_{RRM}	40V	40V	40V
$V_F \text{ MAX @ } I_F = 100\text{mA}$	270mV	300mV	390mV
$V_F \text{ MAX @ } I_F = 500\text{mA}$	340mV	350mV	480mV
$V_F \text{ MAX @ } I_F = 1.0\text{A}$	390mV	400mV	550mV
$V_F \text{ MAX @ } I_F = 1.5\text{A}$	420mV	450mV	620mV
$I_R \text{ MAX @ } V_R = 20\text{V}$	900 μA	500 μA	–
$I_R \text{ MAX @ } V_R = 30\text{V}$	1.5mA	800 μA	100 μA

Sample Devices
 available
 upon request.



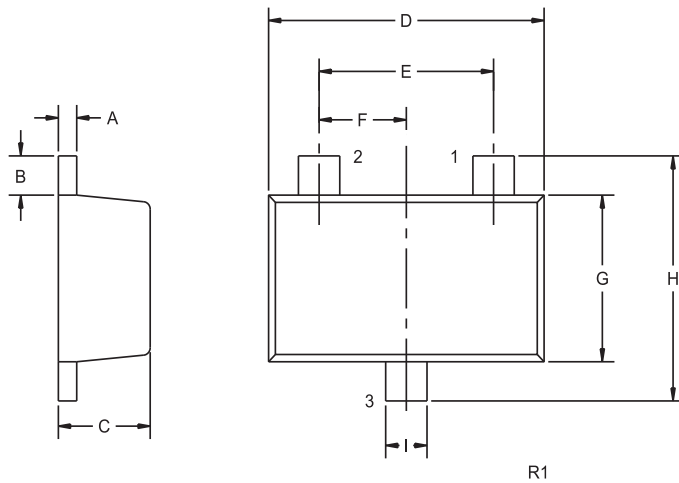
Select the Schottky to best meet your design requirement.

- **CMPSH1-4L: Low V_F**
 Low $V_F = 390\text{mV @ } 1.0\text{A}$
- **CMPSH1-4LE: Balanced Low V_F /Low I_R**
 Low $V_F = 400\text{mV @ } 1.0\text{A}$
 Low $I_R = 500\mu\text{A @ } 20\text{V}$
- **CMPSH1-4: Low I_R**
 Low $I_R = 100\mu\text{A @ } 30\text{V}$

Low V_F , Low I_R Schottky Rectifiers in the SOT-23F

Mechanical Specifications

SOT-23F



SYMBOL	INCHES		MILLIMETERS	
	MIN	MAX	MIN	MAX
A	0.004	0.008	0.10	0.20
B	0.012	0.020	0.30	0.50
C	0.031	0.039	0.80	1.00
D	0.110	0.118	2.80	3.00
E	0.075		1.90	
F	0.037		0.95	
G	0.059	0.067	1.50	1.70
H	0.091	0.098	2.30	2.50
I	0.014	0.018	0.35	0.45

SOT-23F (REV: R1)

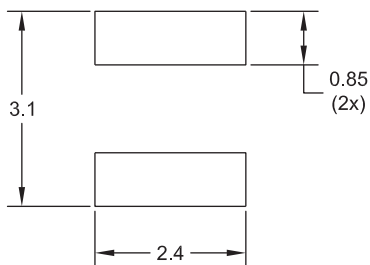
LEAD CODE:

- 1) ANODE
- 2) ANODE
- 3) CATHODE

MARKING CODE

CMP SH1-4: SH1
 CMP SH1-4L: CSL
 CMP SH1-4LE: CSE

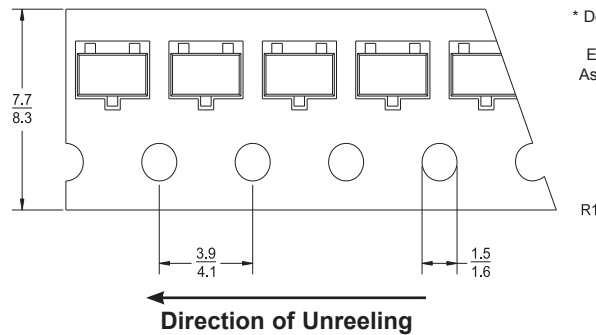
Optional Mounting Pad Geometry (Dimensions in mm)



(For standard mounting pads R0 see SOT-23F Package Details)

Tape Dimensions and Orientation (Dimensions in mm)

Tape Width: 8mm



* Devices are taped in accordance with Electronic Industries Association Standard EIA-481-1-A

← Direction of Unreeling

Central[™]
Semiconductor Corp.

Innovations in Discrete
Semiconductors

For further information contact:
 Sales at Central Semiconductor Corp.
 (631) 435-1110 or visit our website at:
www.centalsemi.com

145 Adams Avenue • Hauppauge • New York • 11788 • USA • Tel: (631) 435-1110 • Fax: (631) 435-1824

PA CMP SH1-4L-4LE